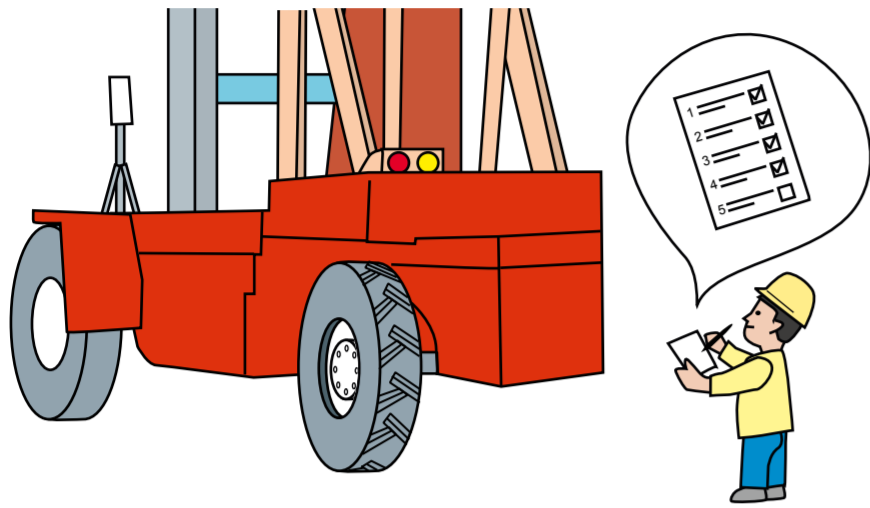


Safety Hints for Heavy Vehicles Tyre Demounting and Inflation Work

(A) Conduct comprehensive risk assessment before work, identify hazards and prepare safe work method statements



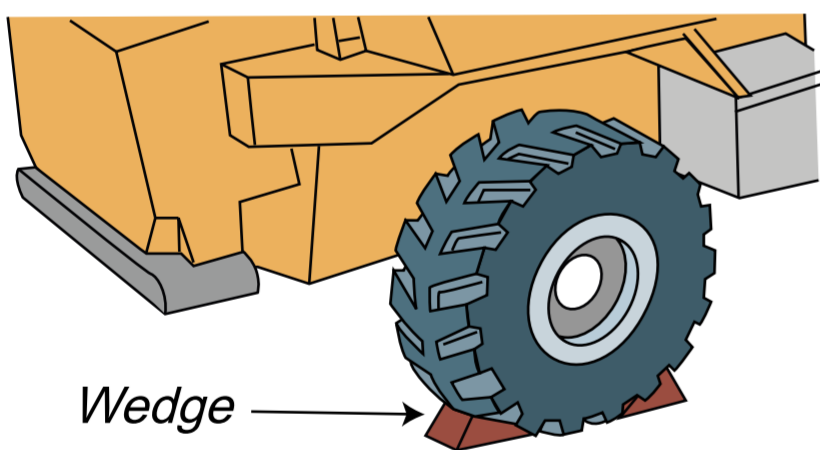
(B) Note the following safety points:

✓ Use mechanical aids to facilitate the removal and installation of tyres

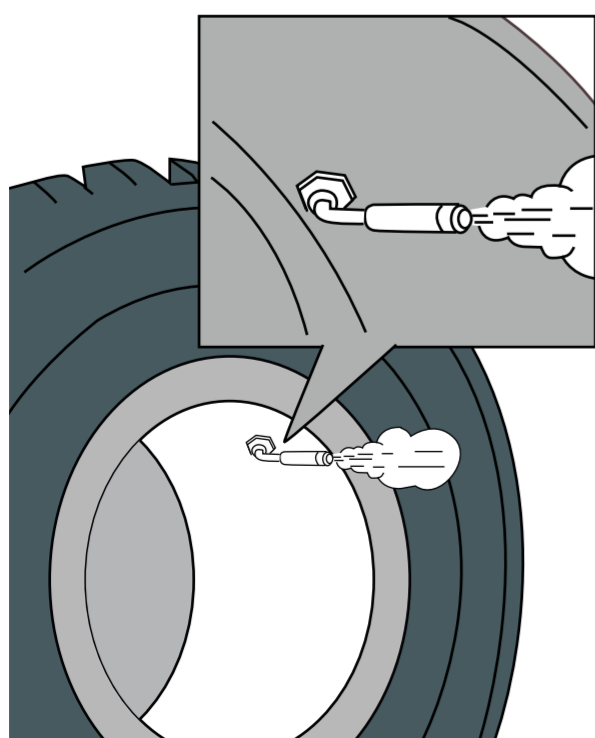
✓ Follow the manufacturer's instructions and recommendations



✓ Fix the tyres with wedges and use the jack properly



✓ Deflate the tyre completely before demounting work

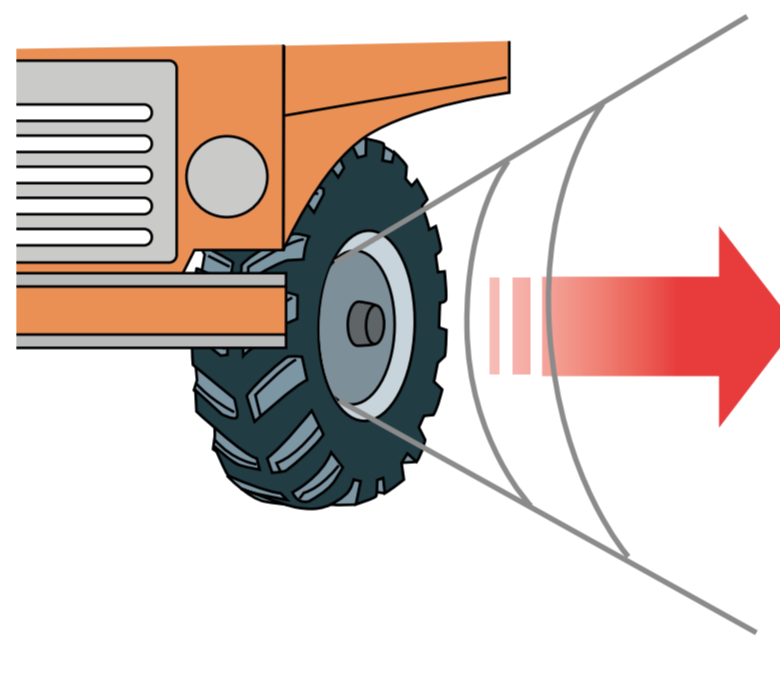


**Deflate before Demounting
Stay Clear while Inflating**

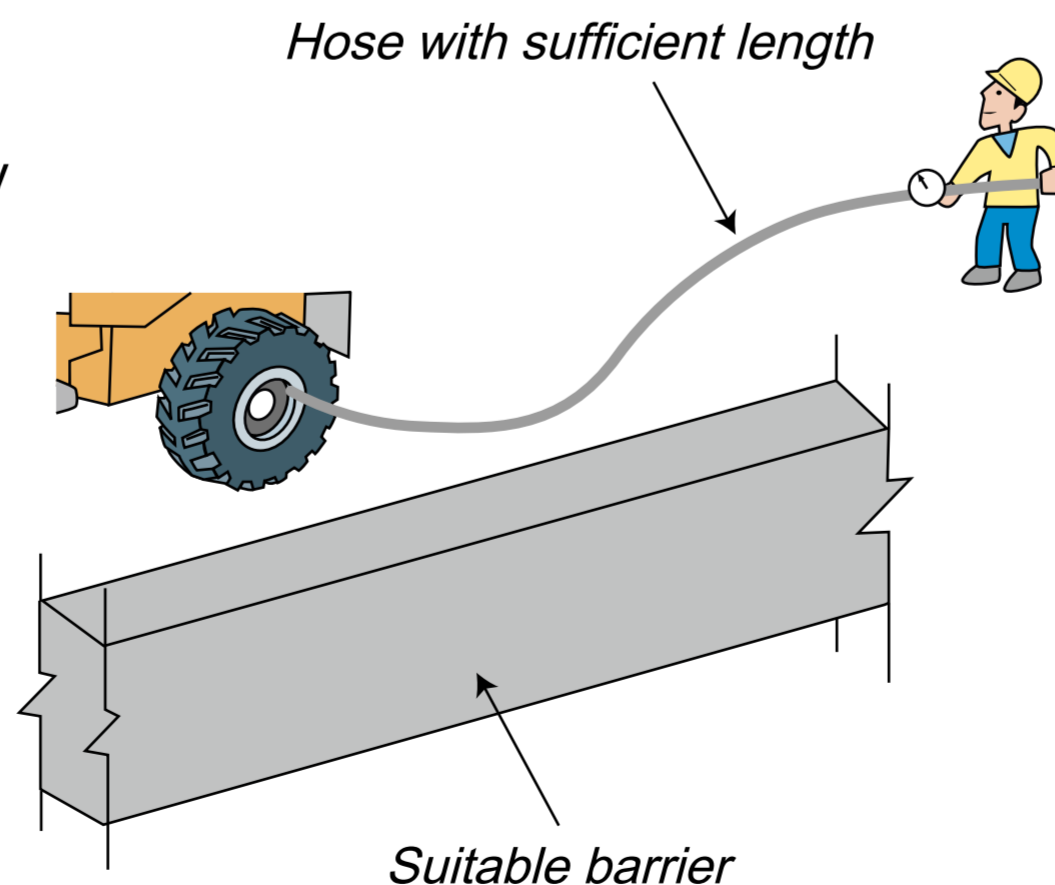


Do not hasten

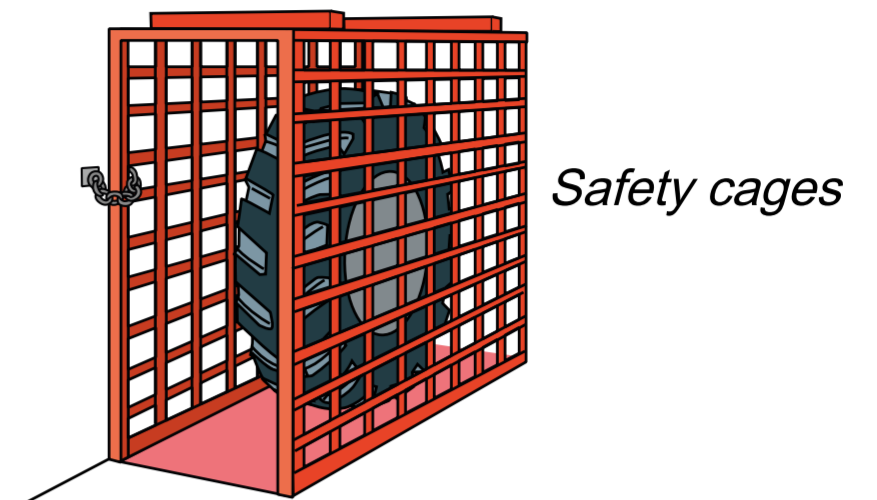
✓ Stay out of the trajectory path when inflating a tyre



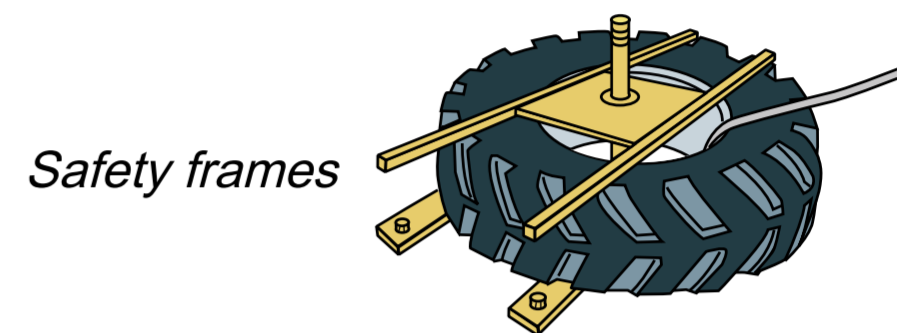
✓ Use suitable airline assembly (including clip-on chuck, in-line valve with pressure gauge and hose of sufficient length)



✓ Use restraining devices



Safety cages



Safety frames

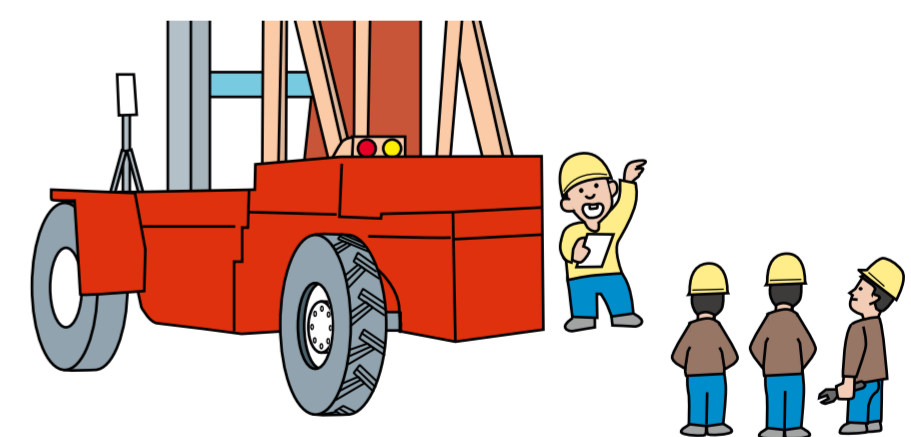
✓ Inspect tyre and wheel components prior to any assembly

✗ Never interchange tyre and wheel components

✗ Never apply heat source such as welding to tyre and wheel components

✗ Never inflate the tyre exceeding the recommended pressure

(C) The employer should provide safety related information, instruction, training and supervision to employees



(D) The work must be carried out by competent persons with adequate training and experience

Occupational Safety and Health Complaint Hotline
2542 2172 All complaints will be treated in the strictest confidence



Labour Department
Occupational Safety and Health Branch